



LEFROY BROOKS

1 8 2 8 T R O U T M A N S T R E E T
R I D G E W O O D N E W Y O R K N Y 1 1 3 8 5 U S A
T: +1(718) 302 5292 F: +1(718) 302 4177

X1-1999

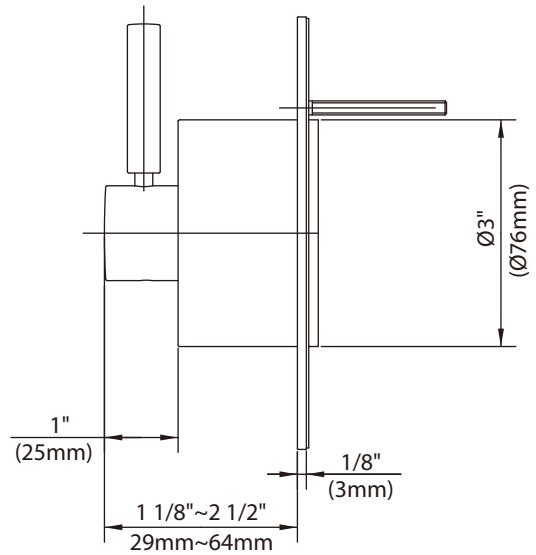
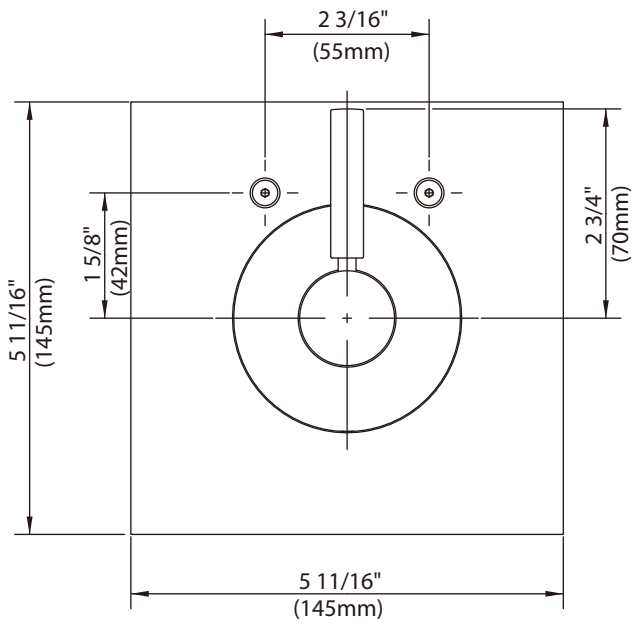
ZU SINGLE LEVER PRESSURE BALANCE TRIM ONLY, TO SUIT
M1-4100 ROUGH

DIMENSIONAL DATA SHEET

DATE: 13 FEBRUARY 2015

No: A667981

COPYRIGHT © LBIP LTD 2012. ALL RIGHTS RESERVED.

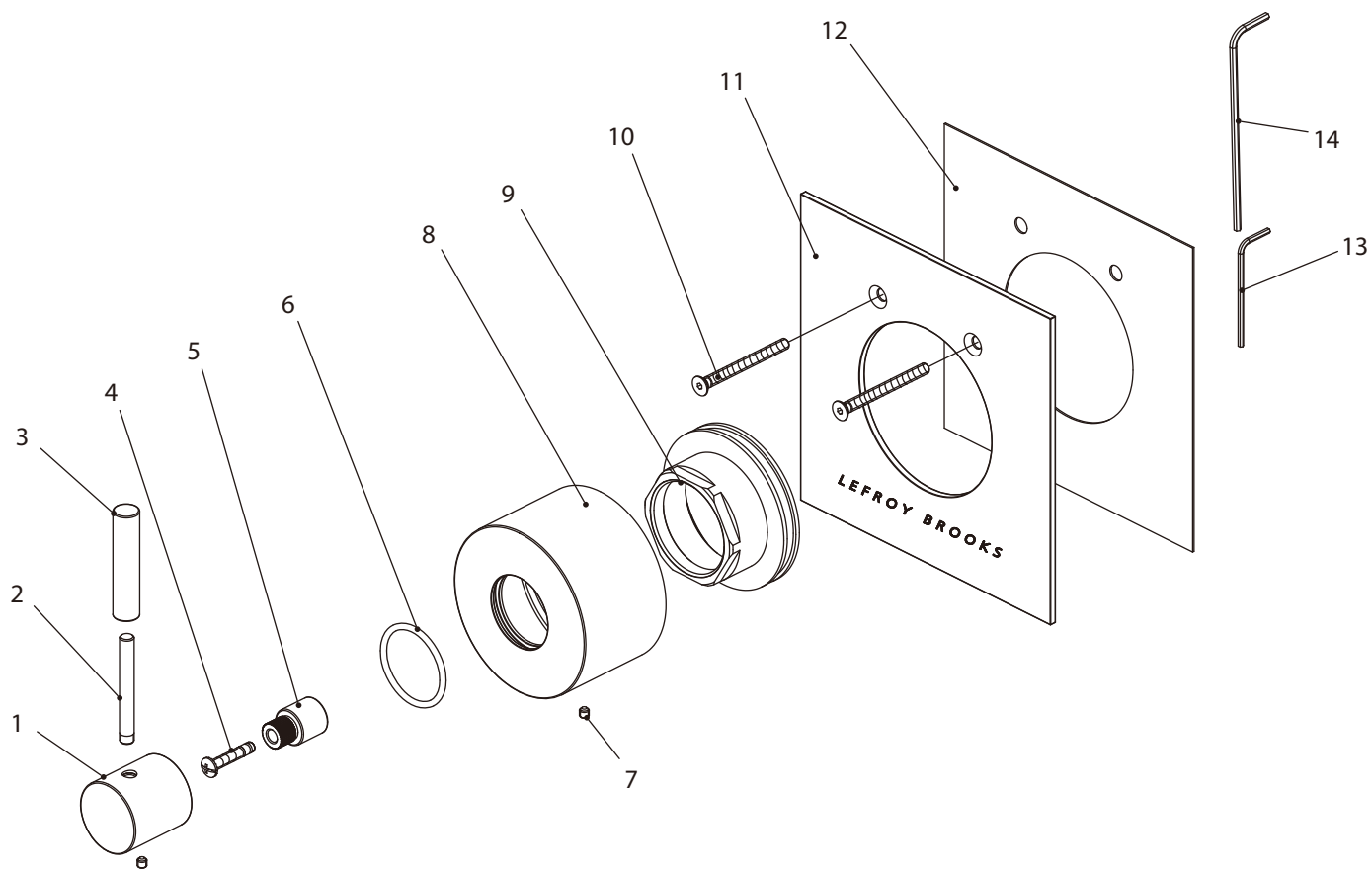


DIMENSIONS IN INCHES & MILLIMETRES

WHILST EVERY EFFORT IS MADE TO ENSURE THE ACCURACY OF THESE DATA SHEETS THEY ARE SUBJECT TO CHANGE WITHOUT NOTICE AS PART OF THE COMPANY'S PRODUCT DEVELOPMENT PROCESS

X1-1999

ZU SINGLE LEVER PRESSURE BALANCE TRIM ONLY, TO SUIT M1-4100 ROUGH



1	Handle seat (215493)	6	O-ring (004033N)	11	Front panel (006600-50)
2	Screw (108926)	7	Set screw (065086)	12	Seal (013237)
3	Lever (038104)	8	Canopy (018222)	13	Allen key (031003)
4	Screw (008338)	9	Adjusting ring (104292)	14	Allen key (031220)
5	Extension rod (110462)	10	Screw (008186)		

Standards

IAPMO/cUPC Listed
Meets A112.18.1
ADA Compliant

Please note :

Final achievable flow rate is dependent on the outlets fitted, see relevant outlets (spouts, roses, sprays) for fully assembled product flow rate.